

technical data Medium V1.4 8x6m with tandem axle



Dimension Stage:		
part	dimension	data
floor	width	8000 mm
	depth	6000 mm
	height	870-1350 mm
roof	width	8205 mm
	depth	7172 mm
	height above ground	max. 5919 mm
	front clearance height	4505 mm
	rear clearance height	4089 mm
	truss tube diameter	50 mm

Capacities:		
part	dimension	data
floor	capacity	350 kg/m ²
	total capacity	16800 kg
	Capacity / support chassis 4x	4500 kg
	capacity / support floor flap	800 kg
	roof	uniformly distributed load UDL/truss
centre point load CPL/truss		160 kg
total capacity		1280 kg
walls	windresistance with mesh	as DIN 4112 (8 Beaufort)
stair	capacity	750 kg/m ²

Data Vehicle:		
part	dimesion	data
vehilce	length max.	9200 mm
	width	2430 mm
	height	3183 mm
	wheel base	900 mm
	track	2200 mm
	overhang	3719 mm
	own weight*	3420 kg
	cargo	80 kg
	total weight	3500 kg
		capacity axle 1
	capacity axle 2	1800 kg
draw bar	capacity max.	3500 kg
	capacity DIN eye	150 kg
	capacity ball head coupler	150 kg
jockey wheel	capacity	500 kg

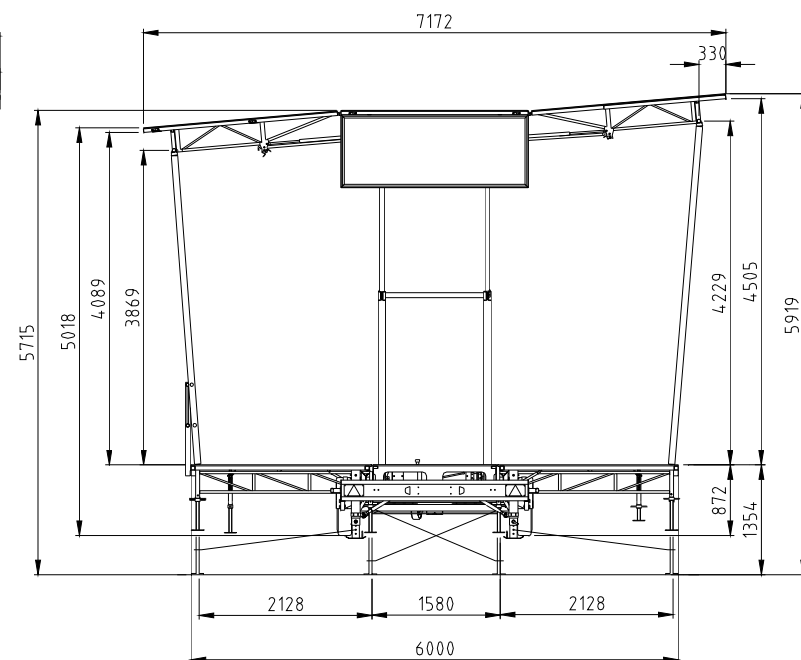
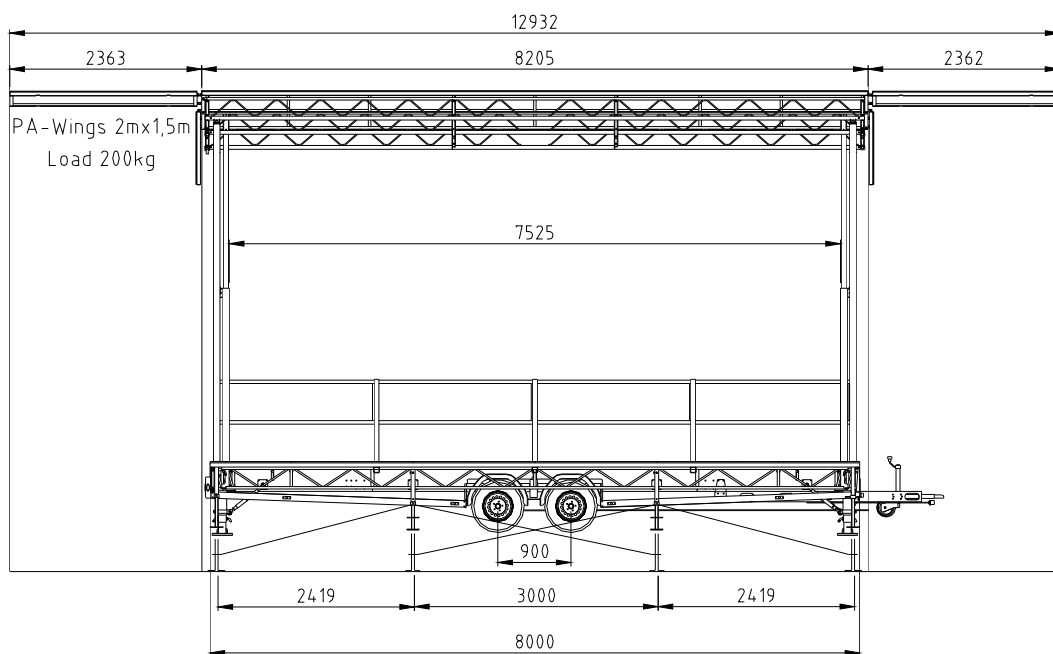
Data PA-Wings:		
	Front truss center point load	200 kg
	width	2300 mm
	depth	1500 mm

* without accessoires
 Technical data is subject to change without notice!
 We assume no liabilities for misprints!

technical data Medium V1.4 8x6m with tandem axle



stage:

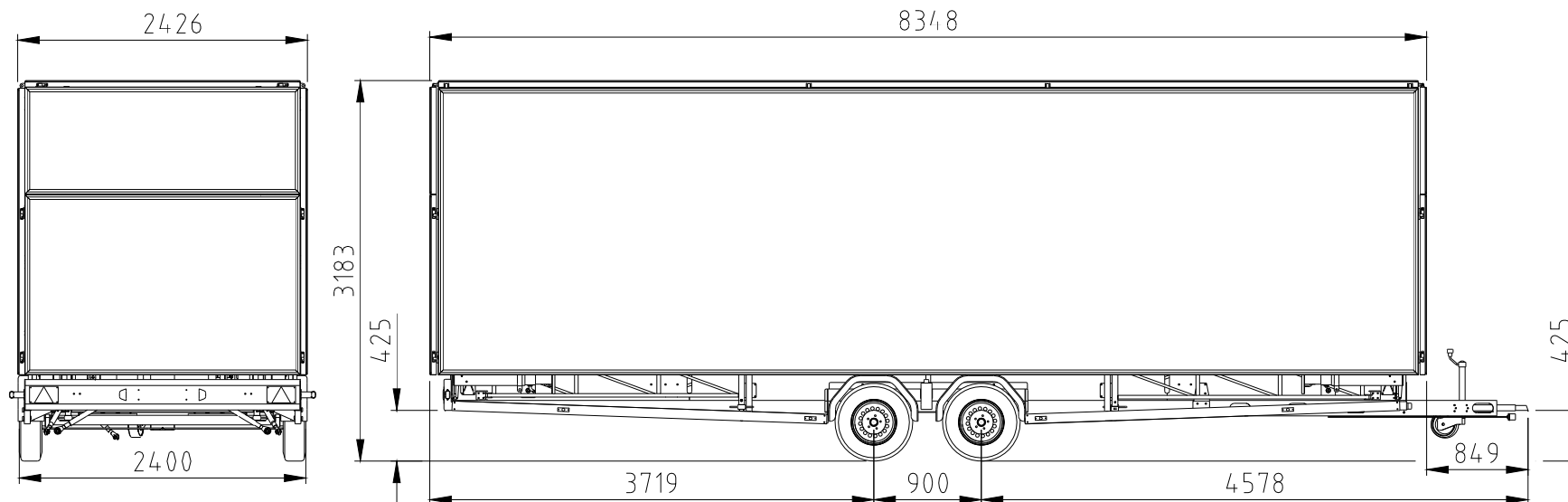


Technical data is subject to change without notice!
 We assume no liabilities for misprints!

technical data Medium V1.4 8x6m with tandem axle



vehicle:



Technical data is subject to change without notice!
We assume no liabilities for misprints!